

# K2 POWER ES 165 KX3E

## Technical Sheet

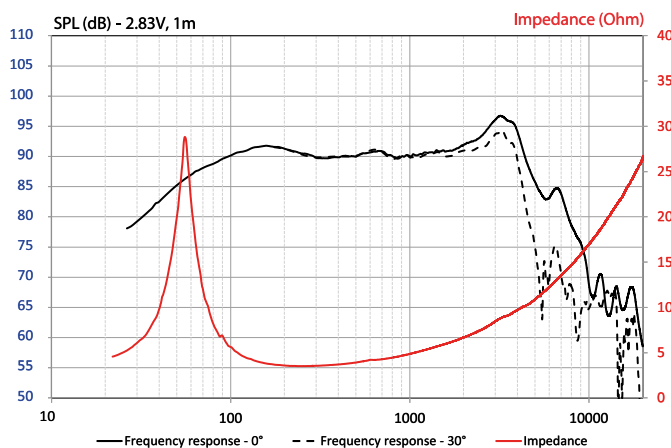
### Woofer 6<sup>1</sup>/<sub>2</sub>"



## SPECIFICATIONS

<b>Nominal power</b>	120W
<b>Maximum power</b>	240W
<b>Sensitivity (2.83V/1m)</b>	93dB
<b>Cone</b>	K2 Sandwich
<b>Nom. impedance</b>	4Ω
<b>Surround</b>	Butyl
<b>DC resistance</b>	3.2Ω
<b>VC diameter</b>	40mm 1 <sup>5</sup> / <sub>8</sub> "
<b>Former</b>	Kapton
<b>Layers</b>	2
<b>Wire</b>	CCWA
<b>Magnet (dxh)</b>	100x22mm 4x7/8"
<b>Net weight</b>	1,750g 3.85lbs

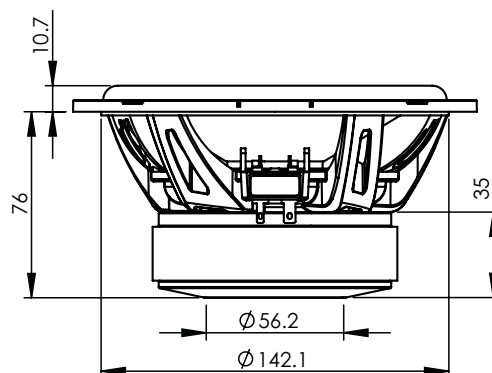
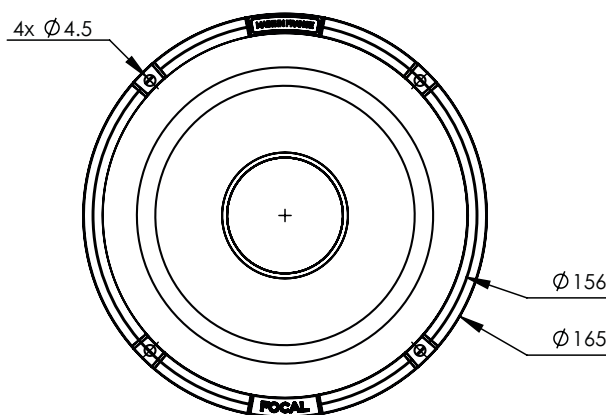
## FREQUENCY RESPONSE/IMPEDANCE



## PARAMETERS

<b>Rdc</b>	3.2Ω
<b>Fs</b>	54Hz
<b>Mms</b>	16.5g
<b>Cms</b>	0.53mm/N
<b>Vas</b>	13l
<b>Qts</b>	0.48
<b>Qes</b>	0.53
<b>Qms</b>	5
<b>Bxl</b>	5.8 N/A
<b>Sd</b>	128.6cm <sup>2</sup>
<b>SPL</b>	89dB
<b>Xmax</b>	5.3mm

## MECHANICAL DRAWING



# K2 POWER ES 165 KX3E

## Technical Sheet

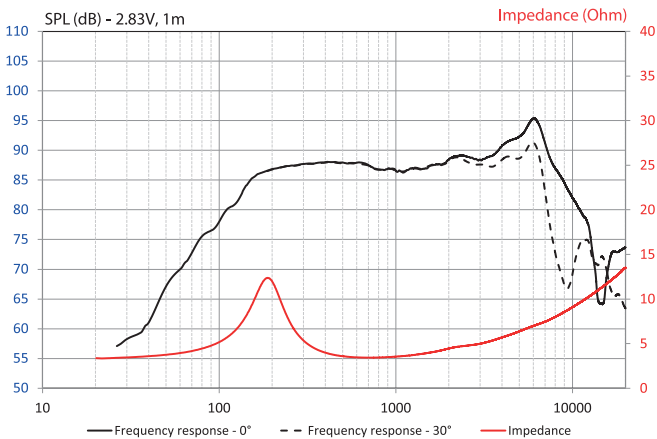
### Midrange 3"



## SPECIFICATIONS

Nominal power	50W	
Maximum power	100W	
Sensitivity (2.83V/1m)	88dB	
Cone	K2 Sandwich	
Nom. impedance	4Ω	
Surround	Butyl	
DC resistance	3.2Ω	
VC diameter	20mm	3/4"
Former	Kapton	
Layers	2	
Wire	CCWA	
Net weight	185g	0.40lbs

## FREQUENCY RESPONSE/IMPEDANCE



## PARAMETERS

Rdc	3.2Ω
Fs	190Hz
Mms	3g
Cms	0.2mm/N
Vas	0.3l
Qts	0.69
Qes	0.92
Qms	2.6
Bxl	3.7 N/A
Sd	35cm <sup>2</sup>
SPL	86dB
Xmax	2.3mm

## MECHANICAL DRAWING

